

CONTROLLERS

# COMMUNICATION CABLE SERIES CRB914

Communication cable for CRx200 Controllers.



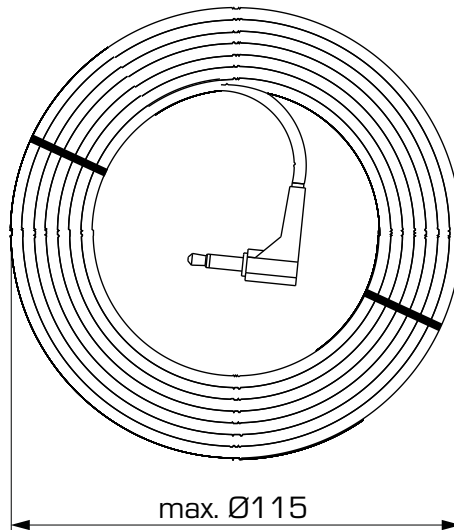
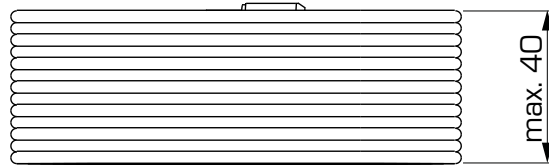
CRB914

**TECHNICAL DATA**

Temperature range: \_\_\_\_\_ +5°C to +95°C  
 Cable type: \_\_\_\_\_ Audio cable (mono),  
 Ø3,5mm, 2-pole gray AWG 24  
 Cable length: \_\_\_\_\_ 20m  
 Material: \_\_\_\_\_ PVC/PVC insulated  
 Connector type: \_\_\_\_\_ 3,5mm 90°

**SUITABLE CONTROLLERS**

- Series CRA100, CRA200
- Series CRC100, CRC200
- Series CRB100, CRB200
- Series CRD100, CRD200



**SERIES CRB900, COMMUNICATION CABLE**

Art. No.	Reference	Note	Weight [kg]
17055700	CRB914		0,30